

Shelly^{PRO} 4PM



SUPREME HOME AND FACILITY AUTOMATION STRAIGHT FROM THE BREAKER BOX

4-channel DIN-mountable smart relay with Wi-Fi, Bluetooth and LAN connectivity. **Shelly Pro 4PM** is enhanced with temperature, overpower, and overvoltage load protection. It allows full automation for residential, commercial, and other applications.

ENHANCED WITH

HTTP/HTTPS webhooks

Get notifications or control another compatible equipment or 3rd party automation system.

Scripting for custom automation

Need custom functions or features not included in the default firmware? Add the tools you need with the build in microJS editor.

Weekly scheduling automation

Quickly set actions based on your daily or weekly schedule.

Smart actions for dynamic control

Set Shelly Plus devices to switch on/off the power, based on the Sunset/Sunrise hour and enjoy dynamic control depending on the season.



LAN connection

Enhanced with LAN connection for even more stable connection.



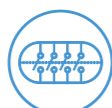
Wi-Fi operated

Connect Shelly Pro 4PM to your Wi-Fi network.



Bluetooth connectivity

Add devices quickly and easily via Bluetooth connection, using Shelly Cloud App.



4 channels

4 outputs, 16A each, total device maximum of 40A.



Screen with navigation keys

1.8-inch color screen for quick relay control and settings update.



Power metering with data storage

Four integrated precise power meters that allow you to measure the consumption for each channel separately.



Wide variety of appliances control

Suitable for controlling and measuring the consumption of lights, appliances, pool system, heaters, and many more.



Enhanced safety

Flame retardant shell (V-0) with internal overtemperature, over-power and overvoltage protection.



Enhanced security

MQTT and WSS support, TLS certificate support and management for a broad range of use cases.



No hub required

Control directly without a hub through your smartphone with Shelly Cloud App.

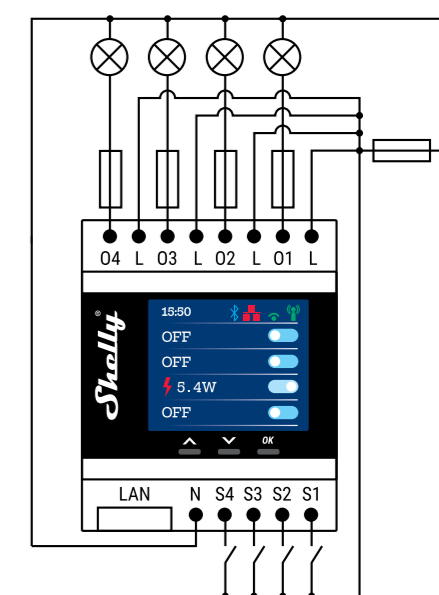


Highly compatible

Use with your preferred home automation platforms and voice assistants.

TECHNICAL SPECIFICATIONS

Power supply	• 110-240V ±10% 50/60Hz AC
Max load per channel	16A
Total max. current of all outputs	40A
Complies with EU standards:	<ul style="list-style-type: none"> • RE Directive 2014/53/EU • LVD 2014/35/EU • EMC 2014/30/EU • RoHS2 2011/65/EU
Working temperature	0°C ÷ 40°C
Radio signal power	1mW
Wireless/WiFi Protocol	802.11 b/g/n (2.4 GHz)
Frequency:	2412 - 2472 MHz
Operational range (depending on local construction)	<ul style="list-style-type: none"> • up to 50 m outdoors • up to 30 m indoors
Dimensions (HxWxL)	57,5x53,4x90 mm
Electrical consumption	< 4 W



LEGEND:

N - Neutral input (Zero);
 L - Line input (110-240V);
 L* - Input of O1, O2, O3, O4;
 O1, O2, O3, O4 - Output 1, 2, 3, 4;
 S - Switch (input) for control;
 S1, S2, S3, S4 - Switch (input) controlling O1, O2, O3, O4
 LAN - Local Area Network RJ 45 connector
 *The cables connected to L must be with the same length!

