

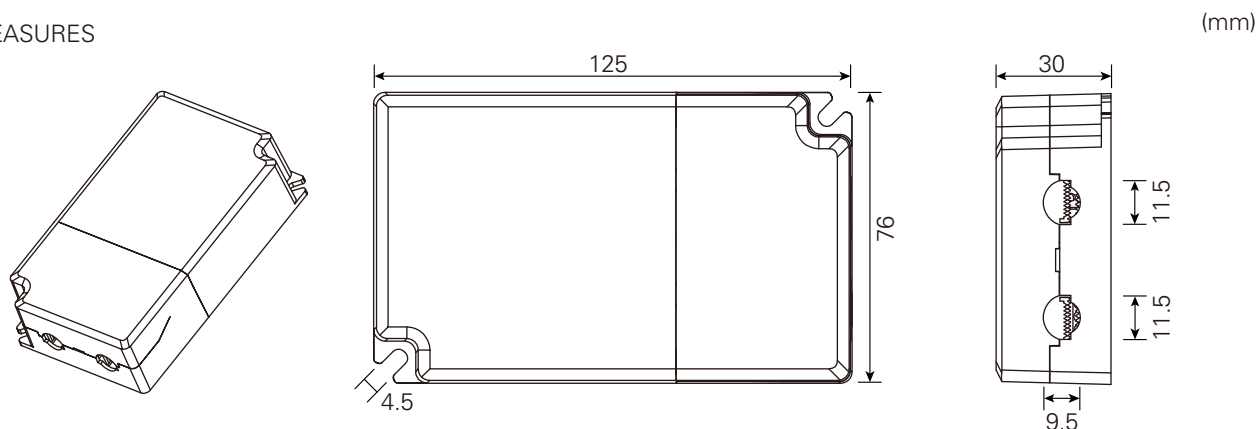
**NAMRON DRIVER DALI 250-600MA**

14V-42V IP20

SELV   

Input spenning driver:	220-240V~ 50/60Hz	Input voltage of driver:	220-240V~ 50/60Hz
Output spenning driver:	14-42V Max 600mA	Output voltage of driver:	14-42V Max 600mA
Total effekt:	Max 29W	Total power:	Max 29W
Dimbar:	Ja	Dimmable:	Yes
Dimming:	DALI 2, 0-10V	Dimming:	DALI 2, 0-10V
Ta/Tc:	45°C/90°C	Ta/Tc:	45°C/90°C
Isolasjonsklasse:	II	Insulation class:	II
IP-grad:	IP20	IP:	IP20
Dali:	Dali 2	Dali:	Dali 2
Overbelastningssikring. Overtemperaturbeskyttelse. Kortslutningssikring		Over load protection. Over temperature protection. Short-circuit protection	

MÅL / MEASURES



KOBLING / WIRING

