

NAMRON ALFA DALI DRIVER

32V-39V IP20



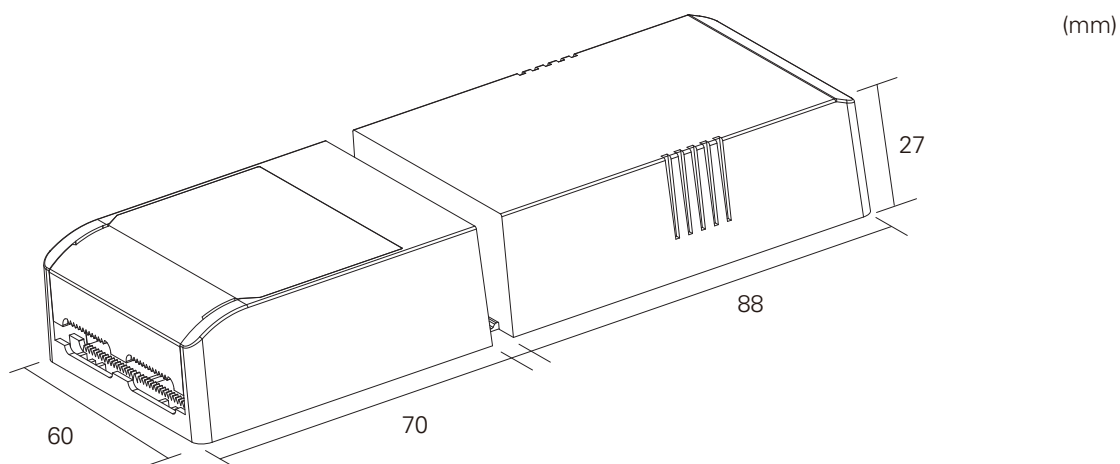
Input spenning driver: 220-240V~ 50/60Hz
 Output spenning driver: 32-39V Max 220mA
 Total effekt: Max 10W
 Dimbar: Ja
 Ta/Tc: 45°C/75°C
 Isolasjonsklasse: II
 IP-grad: IP20
 Dali: Dali 2

Input voltage of driver: 220-240V~ 50/60Hz
 Output voltage of driver: 32-39V Max 220mA
 Total power: Max 10W
 Dimmable: Yes
 Ta/Tc: 45°C/75°C
 Insulation class: II
 IP: IP20
 Dali: Dali 2

Overbelastningsikring. Overtemperaturbeskyttelse.
 Kortslutningssikring

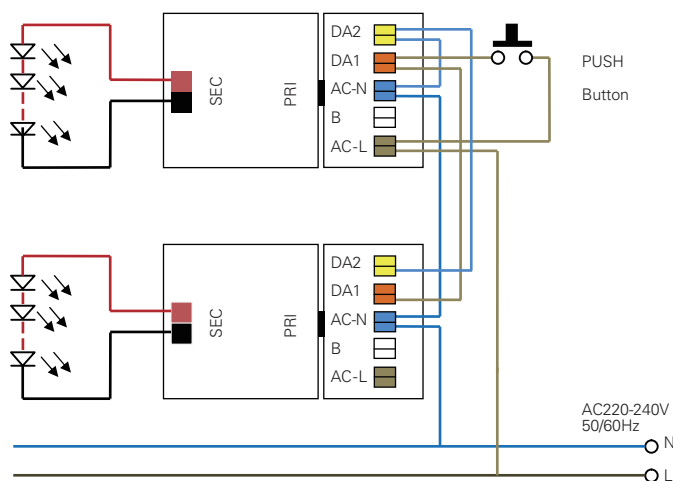
Over load protection. Over temperature protection.
 Short-circuit protection

MÅL / MEASURES



KOBLING / WIRING

PUSH Dimming



DALI Dimming

