

BRUKSANVISNING  
INSTRUCTION MANUAL  
**LED ARBEIDSLAMPE**  
**10W/30W/50W**

**namron**

220-240V~ 50/60Hz IP44



Spenning: 220-240V~ 50/60Hz  
LED Effekt: 10W/ 30W/ 50W  
Lumen: 1050lm/ 3100lm/ 5200lm  
Kelvin: 4000K  
Tetthetsgrad: IP44  
Levetid: 30.000t

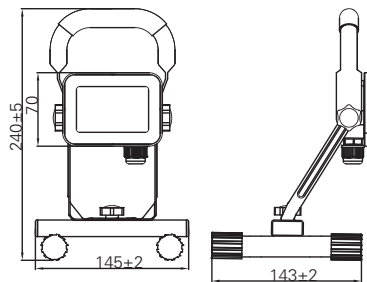
Voltage: 220-240V~ 50/60Hz  
LED power: 10W/ 30W/ 50W  
Lumen: 1050lm/ 3100lm/ 5200lm  
Kelvin: 4000K  
IP Rating: IP44  
Lifetime: 30,000h

Inkludert 1,5m 3x1mm<sup>2</sup> H05RN-F kabel med IP44 støpsel.

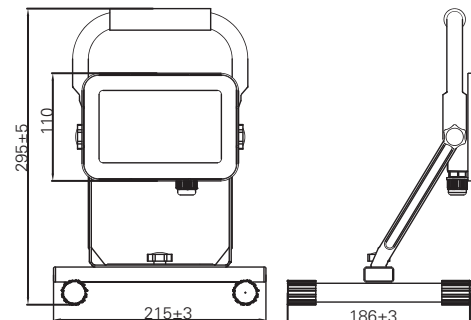
Includes 1.5m 3x1mm<sup>2</sup> H05RN-F cable with IP44 plug.

**MÅL / MEASURES**

**10W**



**30W**



**50W**

