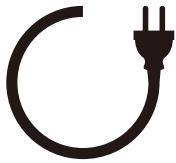


# DRIVER DIMBAR LED STRIP



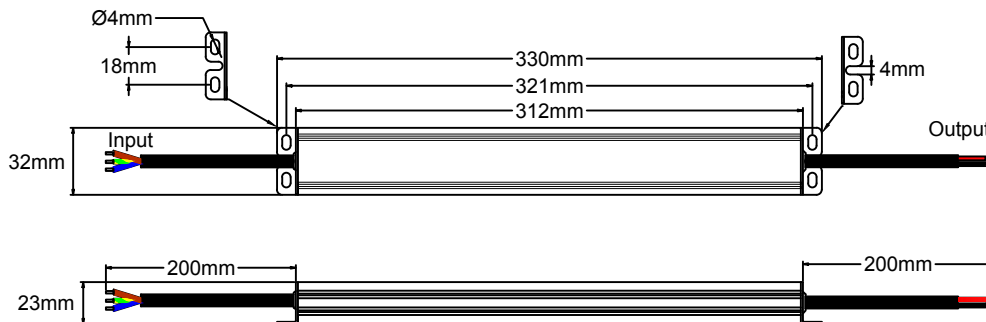
24V IP66



Input spenning driver : 220-240V~ 50/60Hz  
 Output spenning driver: 24V 4,17A  
 Totaleffekt: 100W  
 Dimbar: Ja  
 Ta/Tc: 40°C/80°C  
 Isolasjonklasse: I  
 IP-grad: IP66  
 Overbelastningssikring. Overtemperaturbeskyttelse.  
 Kortslutningssikring

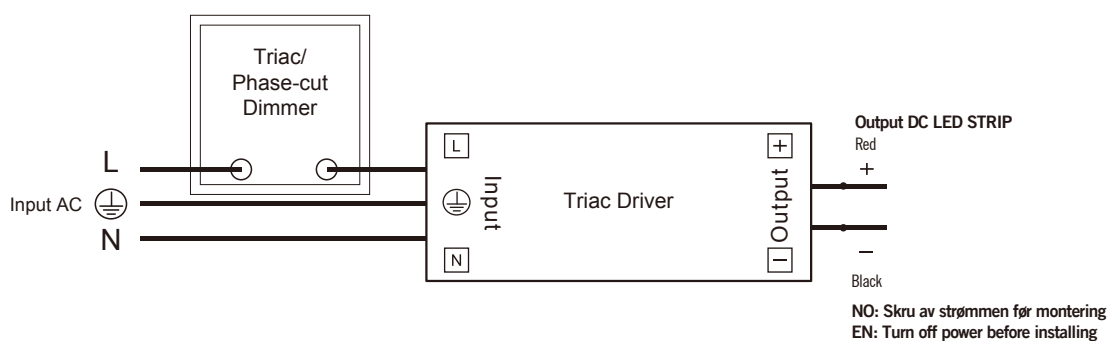
Input voltage of driver: 220-240V~ 50/60Hz  
 Output voltage of driver: 24V 4.17A  
 Total power: 100W  
 Dimmable: Yes  
 Ta/Tc: 40°C/80°C  
 Isolation class: I  
 IP: IP66  
 Over load protection. Over temperature protection.  
 Short-circuit protection

## MÅL / MEASURES



## KOBLING / WIRING

### 1-POL



### 2-POL

